



---

# TOY-SC1

## Toyota/Lexus/Scion

### SIRIUS Interface

Installation Guide



**FCC NOTICE:**

This device complies with Part 15 of FCC rules. Operation is subject to the following conditions:

(1) This device may not cause harmful interference, and

(2) This device must accept any interference received, including interference that may cause undesired operation. Changes or modifications not expressly approved by the party responsible for compliance could void the user's authority to operate this device.

Directed Electronics is not responsible for any radio or TV interference caused by unauthorized modifications to this equipment. Such modifications could void the User's authority to operate the equipment.

## Table of Contents

FCC Notice	2
Warning and Safety information	4
Congratulations and Package Contents	6
Compatibility and Features	7
Installation	10
Connections	11
Mounting Instructions	13
Activating Your Installed SIRIUS Tuner	14
Operating the system	15
Examples of factory units	16
Troubleshooting Guide	18
Warranty	19

### Copyrights & Trademarks

2007 SIRIUS Satellite Radio Inc. All Rights Reserved

"SIRIUS", "SiriusConnect", the SIRIUS dog logo, channel names and logos are trademarks of SIRIUS Satellite Radio Inc. All Rights Reserved

## Warning and Safety Information



### Warning

Please read these instructions carefully before proceeding. Failure to heed them can result in serious injury or death. DO NOT OPERATE EQUIPMENT UNDER ANY CIRCUMSTANCES THAT IMPAIRS YOUR ABILITY TO DRIVE OR OPERATE YOUR VEHICLE SAFELY.

Any function that requires your prolonged attention should only be performed after coming to a complete stop. Always stop the vehicle in a safe location before performing these functions. Failure to do so may result in an accident.

- DO NOT OPEN, DISASSEMBLE OR ALTER THE UNIT IN ANY WAY. Doing so may result in fire, electric shock or product damage.
- DO NOT INSERT ANY OBJECTS INTO THE UNIT. Doing so may result in fire, electric shock or product damage.
- USE THE CORRECT CURRENT (AMPERAGE) RATING WHEN REPLACING FUSE. Failure to do so may result in fire, electric shock or product damage.
- MAKE THE CORRECT CONNECTIONS. Failure to make proper connections may result in fire or product damage.
- DO NOT SPLICE INTO ELECTRICAL CABLES. Never cut away cable insulation to supply power to other equipment. Doing so will exceed the current carrying capacity of the wire and result in fire or electric shock.
- DO NOT INSTALL IN LOCATIONS THAT MIGHT HINDER VEHICLE OPERATION. Doing so may obstruct vision or hamper movement which can result in a serious accident. If you are attaching the unit directly to the vehicle's chassis, be sure that you check to make sure the area behind the unit is clear from moving parts, fuel or break lines, wire harnesses or any other items which may get damaged by drilling a mounting hole or using the supplied screws.
- DO NOT EXPOSE THE UNIT TO HIGH LEVELS OF HUMIDITY, MOISTURE OR DUST. Doing so can result in electric shock or product failure.

## Warning and Safety Information



### Caution

Please read these instructions carefully before proceeding. Failure to follow these safety instructions and warnings may result in a serious accident and/or personal injury.

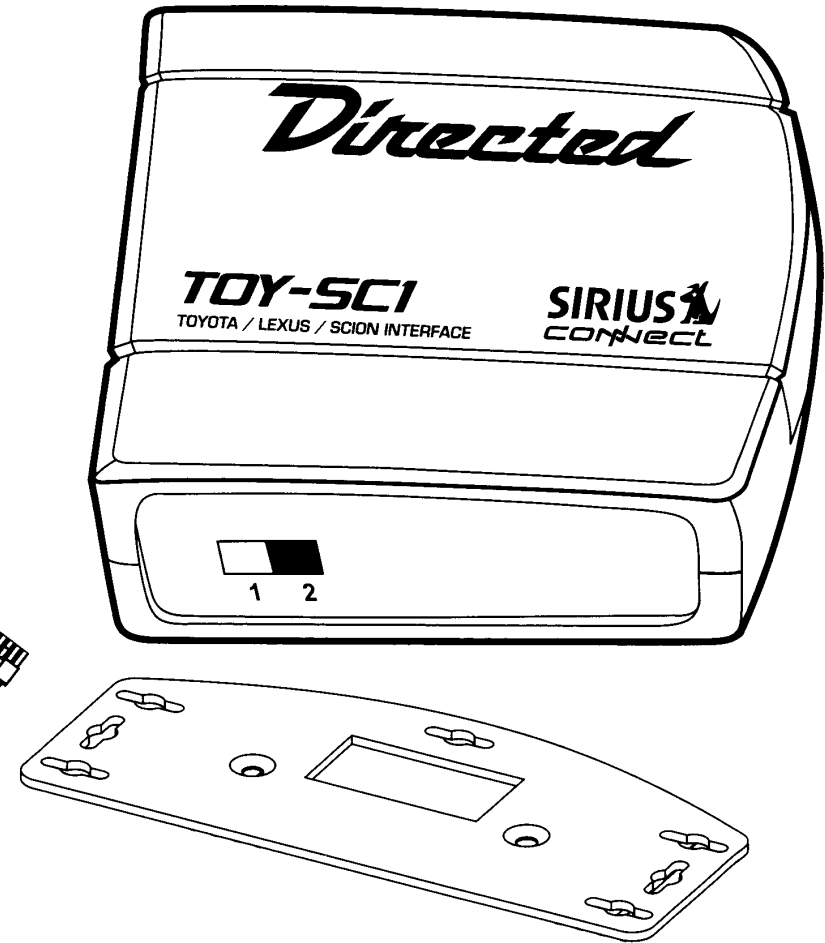
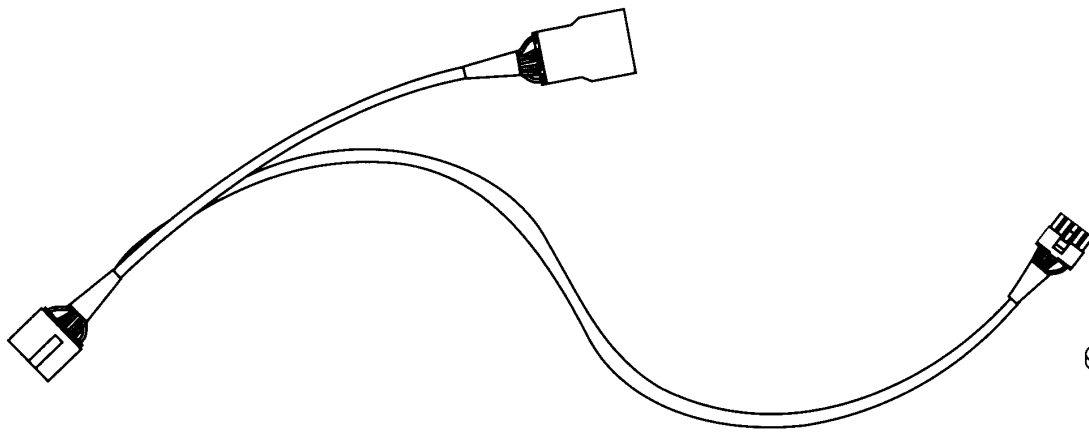
- **HALT USE IMMEDIATELY IF A PROBLEM ARISES.** Failure to do so may cause personal injury or damage to the product. Return the unit to your authorized retailer or nearest service center for repairing..
- **ENSURE THE WIRING UPON INSTALLATION IS NOT CRIMPED OR PINCHED BY SCREWS OR SHARP METAL EDGES.** Route the cables away from moving parts or sharp pointed edges. This will prevent crimping and damage to the wiring. If the wiring must pass through a metal hole, be sure to use a rubber grommet to prevent the wire's insulation from being cut by the metal edge of the hole.
- **USE ONLY THE SPECIFIED PARTS AND INSTALL THE PRODUCT SECURELY.** Be sure to use only the specified accessory parts. Use of nonspecified parts may damage this unit internally or may not securely install the unit in place. This may cause parts to become loose, resulting in hazards or product failure.
- **USE CAUTION IF or WHEN DISCONNECTING THE BATTERY TERMINAL.** Please consult the vehicle's owner's manual or a service technician prior to removing the battery positive or ground connection, as it may cause damage to the vehicle's electrical system or require reprogramming of the vehicle's computer-controlled devices.

## Congratulations

Congratulations on the Purchase of your new TOY-SC1 SiriusConnect Interface! Your TOY-SC1 is designed to be compatible with select vehicles that support Satellite Radio operation (requires additional purchase of & connection to a SiriusConnect tuner or dock). Your interface is designed to replace the factory satellite tuner in your Toyota, Lexus or Scion vehicle. It is also compatible with systems that do not have the factory satellite tuner installed. For the latest information about this and other SIRIUS products and accessories, visit <http://www.directedsirius.com>.

## Package Contents

- 1 TOY-SC1 interface module
- 1 Toyota/Lexus/Scion interface cable
- 1 Mounting bracket w/screws
- This guide



# Toyota/Lexus/Scion SIRIUS Interface

## Compatibility

The TOY-SC1 is designed to be compatible with select Toyota/Lexus vehicles. Please consult table for compatibility listing.

Compatible Headunit Types:

- CD only Headunits\*
- CD + Cassette Headunits\*
- 6-CD changer Headunits\*
- Touch Screen Monitor Headunits
- Non-Touch Screen Monitor Headunits

**\*Note** that the units must have a "SAT" button to access SIRIUS audio modes.

In addition, the TOY-SC1 is compatible with most additional factory audio accessories that might be included, such as:

- Rear Seat Audio Control Center
- Rear Seat Entertainment (DVD/Monitor) System
- Heads up display (HUD)
- Steering wheel controls

Note that the TOY-SC1 is not compatible with the factory satellite radio antenna that might be installed in the vehicle. For best operation you must install a SIRIUS compatible antenna as supplied with the compatible SiriusConnect tuner or dock.

List of compatible vehicle/radio types:

MAKE	MODEL	YEAR
Lexus	IS 250/350	2006+ 6-Disc MP3
Lexus	ES 330	2005+ 6-Disc + Tape
Lexus	GS 300/430/450h	2006+ 6-Disc
Lexus	LS 430	2004+ 6-Disc + Tape
Lexus	LX 470	2005+ w/Navigation
Lexus	RX 330/350	2006+ 6-Disc, MP3 + Tape
Toyota	4Runner	2006+ 6-Disc, JBL NAV, JBL Synth 6-Disc
Toyota	Avalon	2005-2007
Toyota	Camry	2005+ 6-Disc + Tape, JBL 6-Disc, NAV
Toyota	FJ Cruiser	2007+ All
Toyota	Land Cruiser	2005+ w/Navigation
Toyota	Prius	2005+ All
Toyota	Rav-4	2007+ JBL
Toyota	Sienna	2007+ JBL, NAV
Toyota	Solara	2004+ 6-Disc + Tape

Toyota	Tundra	2007+ All
Scion	xA	2004+ All
Scion	xB	2004+ All
Scion	tC	2004+ All

### Features

The TOY-SC1 is designed to emulate many of the factory SDAR (Satellite Digital Audio Radio) commands found in your vehicle.

- Channel Tune (Up and Down)
- Fast Tune (Up and Down)
- Category Search (Up and Down)
- Category Tune (Tune within a category)
- 12 presets (6 for each band)
- Preset Scan (UP)

Note about features listed: Each Toyota/Lexus/Scion radio type operates differently, so consult the vehicle owners manual for proper operation methods.

### Headunit Display Capability

When the TOY-SC1 is installed, the following information can be displayed on the headunit display.

- Channel Number
- Channel Name
- Category Name
- Artist Name
- Song Title Name

**Note:** Number of characters displayed varies by headunit type (8 ~16 Characters).

### Text Scrolling Configuration

Text Scrolling and/or Paging can be enabled or disabled during installation of the HON-SC1. Enabling scrolling will allow radio types with limited displays to show complete text strings for artist name or song title. Text scrolling should be disabled for radios with large displays where it isn't needed. The unit is set for text scrolling enabled at the factory.

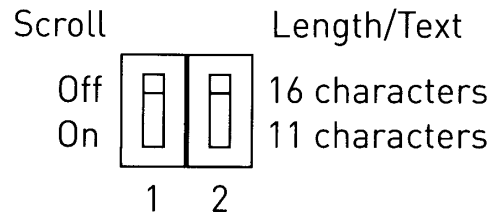
**Note:** Some Toyota/Lexus headunits will display "XM1" or "XM2" as the display source. This information is hard coded in the headunit design and can not be changed.

### Dip Switch Settings

Two dip switches located on the side panel are used to configure the unit for correct display to match your headunit. Labeled **1** and **2** for text scroll and display length settings respectively.

# Toyota/Lexus/Scion SIRIUS Interface

Text display switch configuration:



1. Set dip switch **1** to Scroll ON/ Scroll OFF as follows:
  - a) Radios with media or navigation displays: OFF (up position)
  - b) For radios with smaller text displays set switch 1 to ON (down) if test scrolling is desired.
2. Set dip switch **2** to the up position for the 16 character setting or to the down position for the 11 character position in order to match the display of your specific radio.

**Note:** The default settings from the factory are "scroll off" and "16 character". In order for text display configuration switch settings to take effect, you must disconnect power to the TOY-SC1 module then reconnect and turn ignition on again.

## Installation

Directed Electronics recommends that you have this product professionally installed. It is recommended that prior to starting the installation, you thoroughly read this manual and follow the guidelines listed below:

Some installations may use the factory satellite radio tuner location. If you are using this location, please follow the factory instructions for installing the TOY-SC1 in your vehicle. If you are not using this location, please read the following installation guidelines.

Consider the mounting location carefully. You should make sure that you avoid the following:

- Any location where the unit is exposed to moisture.
- Any location where the unit is exposed to extreme heat.
- Any location that would interfere with moving parts on the vehicle or hamper driving.

Mounting the TOY-SC1 Interface: Be sure that you find a location that is flat and has clearance above the unit to prevent any damage as well as allow for ventilation.

Do not install the TOY-SC1 under the carpet or in a small enclosed area without proper ventilation. Doing so can result in damage to the tuner or the vehicle.

Use the supplied screws to securely fasten the unit.

**Note:** Please refer to the SIRIUS SCC1 or SCVD0C1 manuals for additional installation instructions needed to complete the system

# Toyota/Lexus/Scion SIRIUS Interface

## Connections: When connecting to a SiriusConnect Vehicle Tuner.

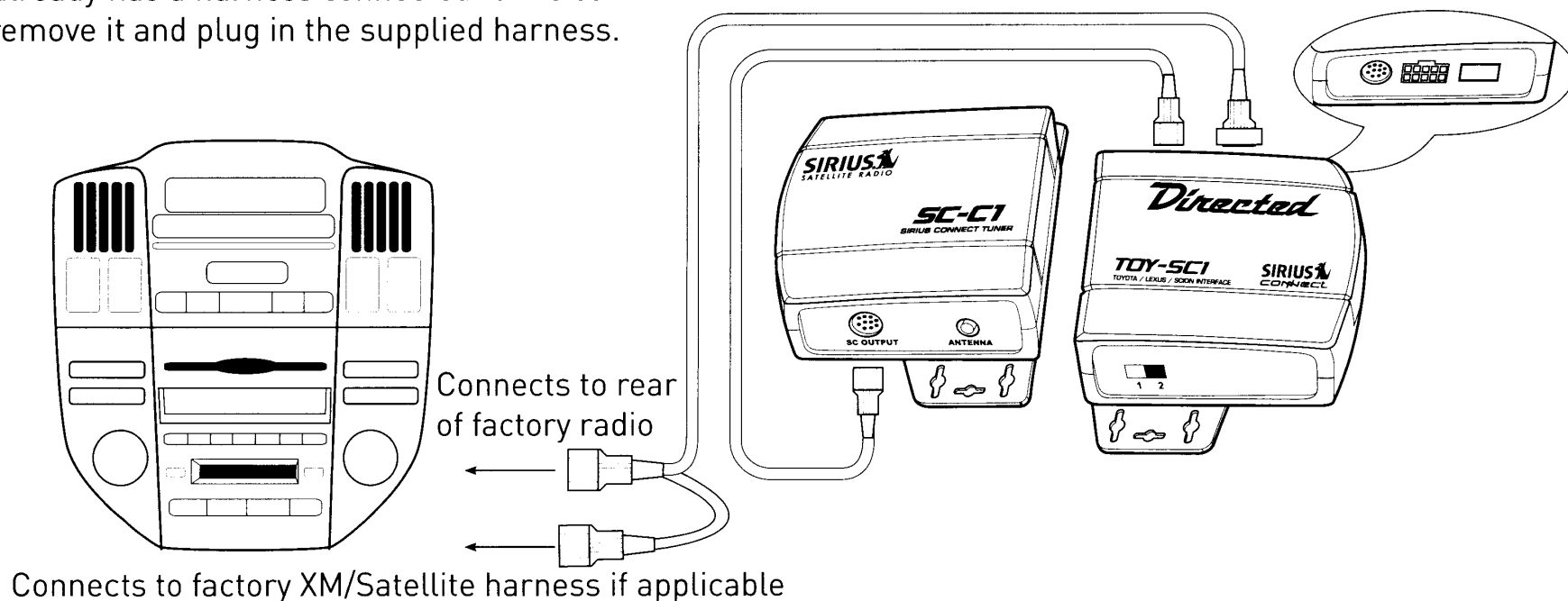
**Note:** You must cycle ACC power in the vehicle on & off once before radio will recognize the SIRIUS tuner interface.

- 1 For cars equipped with XM, locate tuner, disconnect it and connect factory cable to the TOY-SC1 interface using the supplied cable, provided the connectors match.
- 2 For vehicles not equipped with XM, remove radio and connect the supplied cable to the rear of the radio.
- 3 If the radio already has a harness connected to the satellite plug, remove it and plug in the supplied harness.

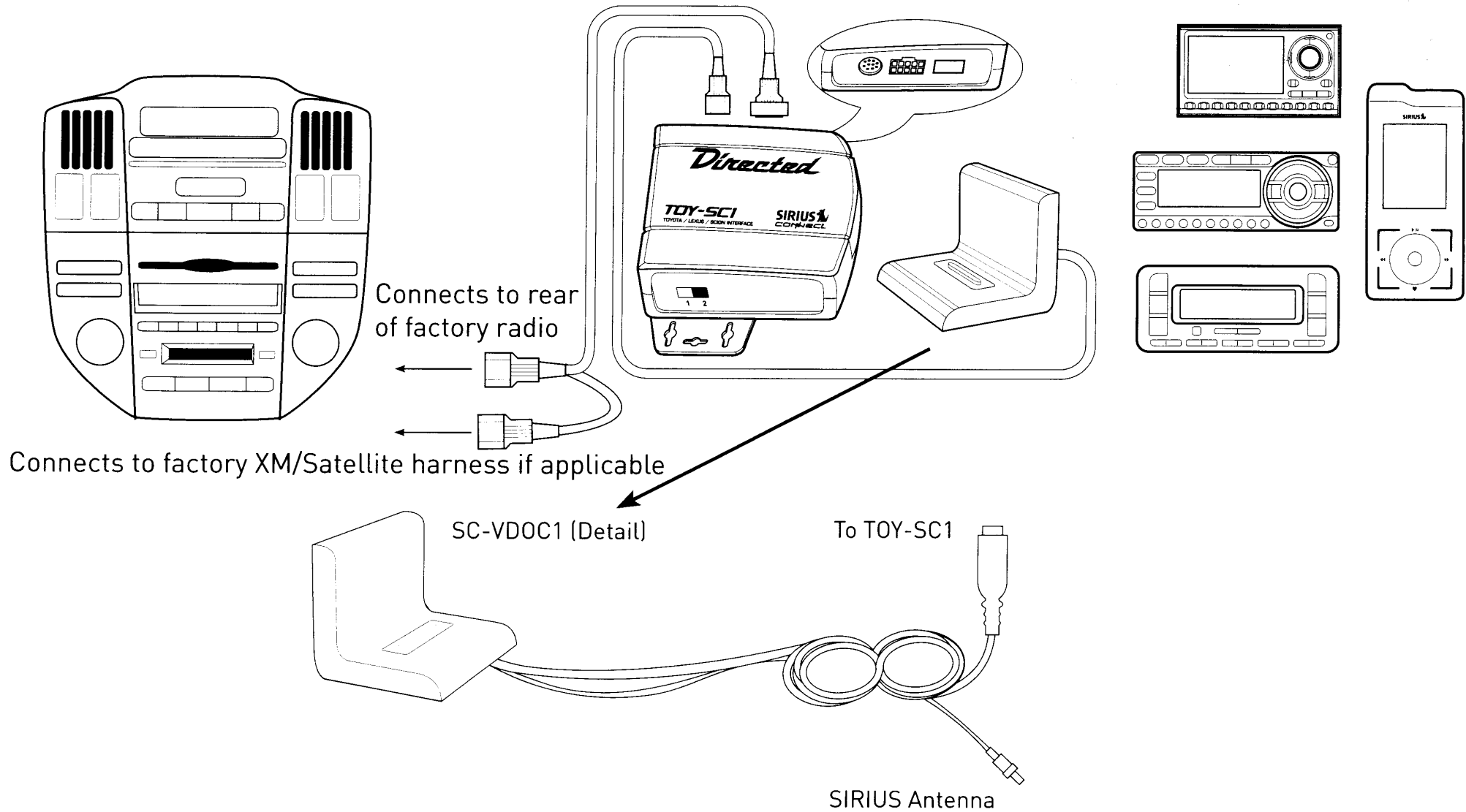
Reconnect the factory harness to the extra plug on the supplied harness.

**Note:** XM tuner must always be disconnected for proper operation.

**CAUTION:** Some receptacles on other modules such as the Tire Pressure Module may be identical to the one on the Radio. Use caution to ensure that the receptacle you are connecting to is the correct one.

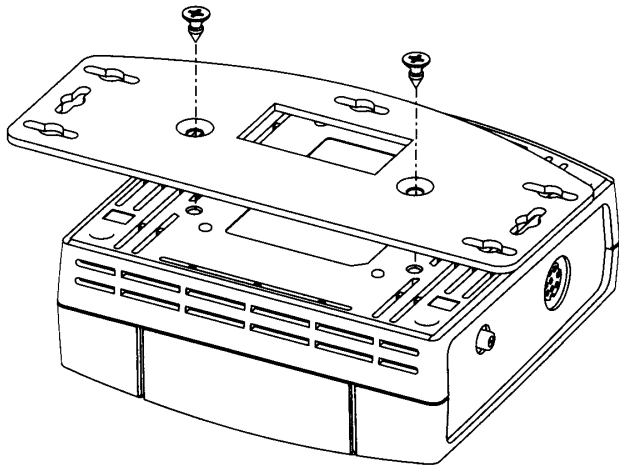


## Connections: When connecting to a SiriusConnect Dock (SCVDOC1).

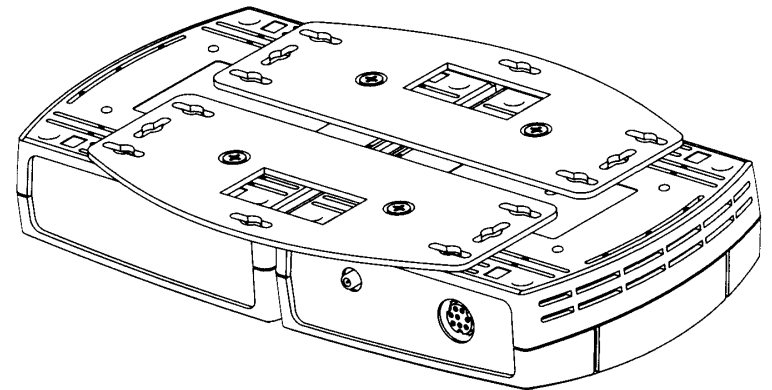
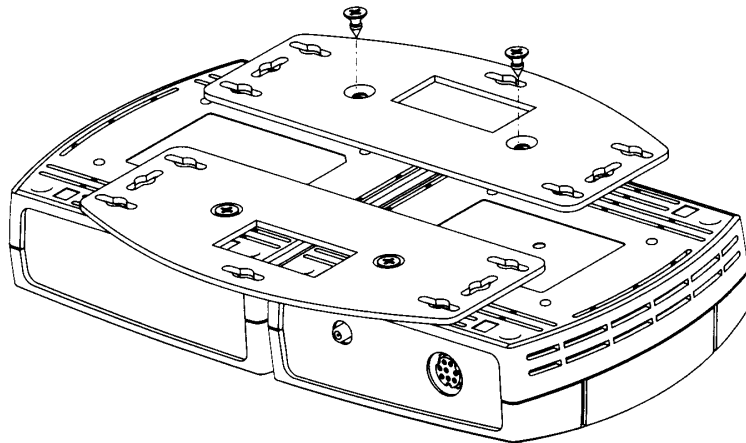


## Mounting Instructions

Mounting TOY-SC1 Bracket Assembly



Mounting TOY-SC1 with SIRIUS SCC1 Bracket Assembly



## Activating Your Installed SIRIUS Tuner

For systems using the permanently installed SCC1 Sirius-Connect Vehicle Tuner, you must activate the tuner before you can begin to receive the SIRIUS Satellite Radio Service. In order to activate your radio subscription, you will need the SIRIUS ID (SID) which uniquely identifies your tuner. The SID can be found on a sticker located on the SCC1 packaging, or on the bottom of the SCC1 itself. When you have located the SID, write it down in the space provided near the end of this manual and store it for future reference.

The SID can also be recalled from your Sirius-Ready Toyota, Lexus or Scion radio. Most units will display the SID on Channel 0. Please consult your vehicle owner's manual or radio user guide for specific details about satellite radio operation.

Power on your system and make sure that you are receiving good signal and that you are able to hear audio on the SIRIUS Preview channel (Ch-184).

Have your credit card handy and contact SIRIUS on the internet at <https://activate.sirius.radio.com/> and follow the prompts to activate your subscription. You can also call SIRIUS toll-free at 1-888-539-SIRIUS (1-888-539-7474). Once activated, you will be able to begin enjoying SIRIUS Satellite Radio's digital entertainment and can tune to other channels.

## Activating Your Dock & Play or Portable SIRIUS Radio

For systems using a Dock & Play or Portable SIRIUS radio with the SiriusConnect Vehicle Dock, you must activate the radio before you can begin to receive the SIRIUS Satellite Radio Service. You can use the directions provided with the radio for activation, or follow the directions above for activation while the radio is docked in the SiriusConnect Vehicle Dock attached to your factory audio system.

## Operating the system

### SAT radio selection

Press the SAT button to access the Sirius interface. On some radios this button may be labeled as XM or CD/SAT. Pressing this button repeatedly will cycle through sources.

### Operation

Use the category control buttons to change a category, if desired.

Use the channel control buttons to change channels. Consecutive presses engage the channel browse mode allowing preview of a channel without tuning. Once the tune button is disengaged channel selection takes place.

Press and hold one of the preset buttons until a beep is heard to save a preset.

To listen to a preset station simply press the desired preset button.

When CATEGORY tune mode is selected the button will cycle through channels only within the current category. The SCAN button previews a station for a few seconds before changing channel to another. Once the desired station is reached press the SCAN again.

### Advisory message

“No tuner” - displayed when connection to Sirius tuner or Sirius dock is bad, no tuner is connected or if vehicle ACC power is not cycled once after connecting the

interface.

“Connecting” - displayed during the initialization of the Sirius tuner.

“Antenna Error” - displayed when the antenna connection is not detected.

“Acquiring Signal” - displayed while acquiring digital audio stream or when the received signal drops below minimum required for tuner to operate.

“Unsubsc. Channel” - displayed when the selected channel is no longer subscribed

“Subscrip. Updated” - displayed when a subscription update received

“Invalid Channel” - indicates that a program became unavailable after an update

“Updating XX/100” - indicates Sirius channel map update in progress

“Firmware Update” - indicates an over the air firmware update of the tuner

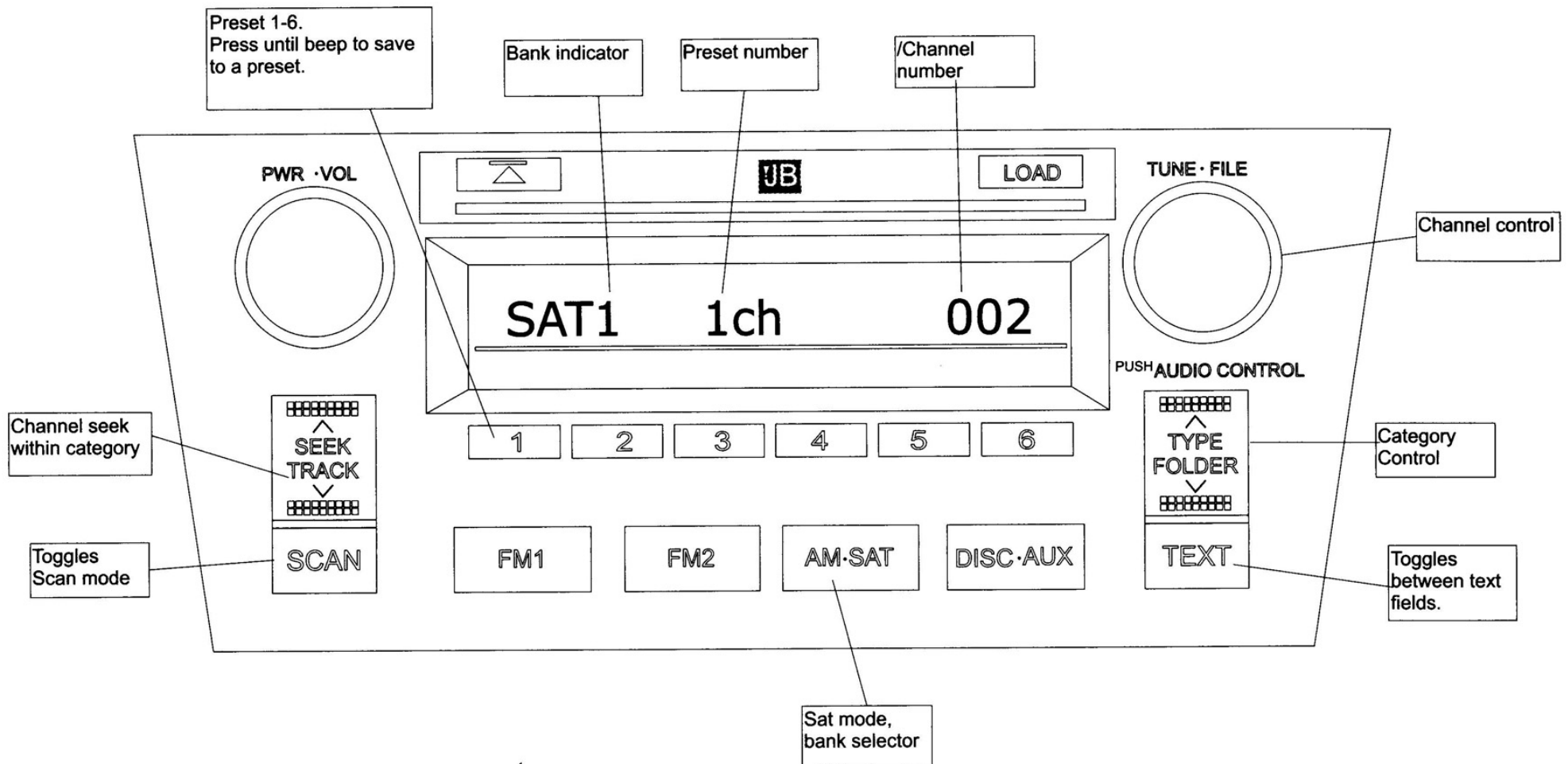
“Radio id” - on CH000 - shows the Sirius ESN needed for subscription services

The 12 digit Sirius ID is shown alternating: the first 6 digit is followed by a “-”, the last 6 digit is preceded by a “-”

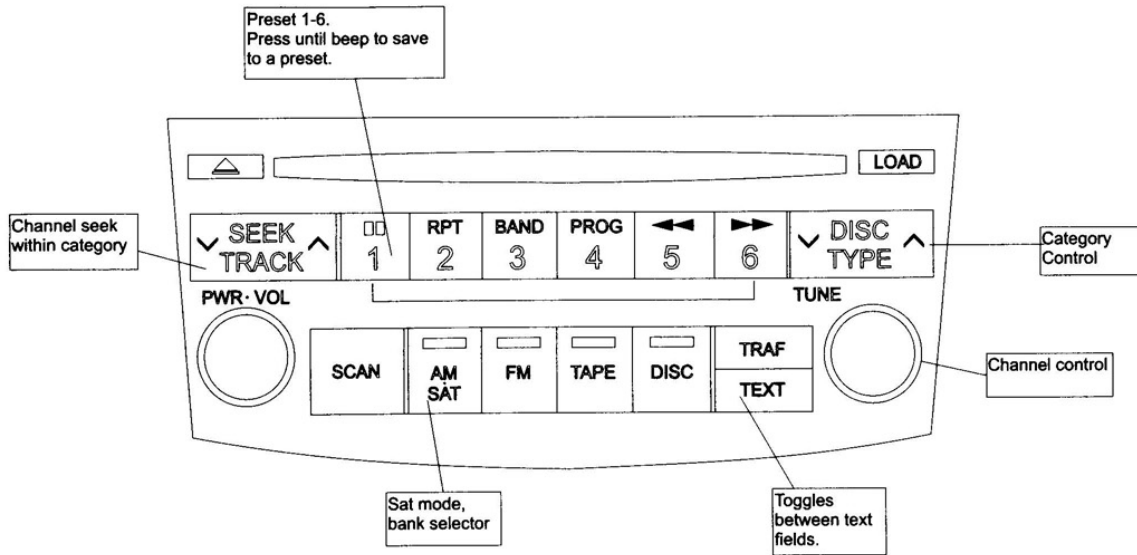
### Portable receivers

You may connect or disconnect portable receivers at any time. Upon connection the “docked portable” message will replace the “No tuner” followed by “Acquiring Signal” before content becomes available.

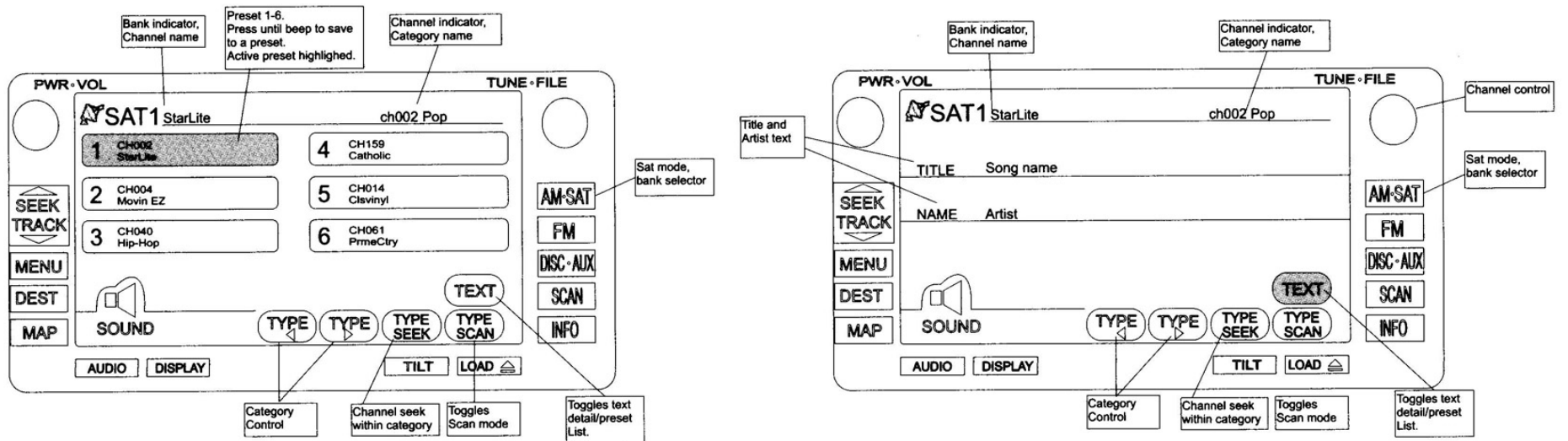
Examples of typical Toyota factory units, please also refer to your specific radio owner's guide.



# Toyota/Lexus/Scion SIRIUS Interface



## 2007 Navigation system



## Troubleshooting guide:

PROBLEM	PROBABLE SOLUTIONS
No tuner	<p>Check for loose connections.</p> <p>Check that connector alignment/orientation is correct.</p> <p>Check that cables are not pinched or damaged.</p> <p>Check that fuse is not blown.</p> <p>Check that the factory XM module has been disconnected.</p> <p>Check for incorrect connections, some vehicles may have similar aftermarket modules installed that utilize the same type of connector.</p>
SL100/ SL2 does not enter SIRIUS connect mode	<p>Check SIRIUS website for the most recent firmware updates.</p>
Antenna Error	<p>Check that antenna is connected</p> <p>Location (line of sight blocked) may not be conducive to good signal</p>
Abbreviated/Truncated Text	<p>Character length varies on different display units, as a result some prompts such as "Acquiring Signal" may appear as "Acquiring S" or "Acquiring ", "Antenna Error" may appear as "Antenna Err", "Firmware Update" may appear as "Firmware Up" etc.</p>
Locked/Skipped Channel	<p>This interface module does not support clearing locked or skipped channels</p>

**Note:** When Channel Number is displayed, updates and error messages are hidden from view. The user must exit this mode by using the toggle "Text" switch to view messages.

### Limited One Year Consumer Warranty

Directed Electronics (herein "DIRECTED") promises to the original purchaser, to replace this product should it prove to be defective in workmanship or material under normal use, for a period of one-year from the date of purchase from the dealer as indicated by the date code marking of the product. During this one-year period, there will be no charge for this replacement PROVIDED the unit is returned to DIRECTED, shipping pre-paid. This warranty is non-transferable and does not apply to any unit that has been modified or used in a manner contrary to its intended purpose, and does not cover damage to the unit caused by installation or removal of the unit. This warranty is void if the product has been damaged by accident or unreasonable use, neglect, improper service or other causes not arising out of defects in materials or construction. ALL WARRANTIES, INCLUDING BUT NOT LIMITED TO EXPRESS WARRANTY, IMPLIED WARRANTY, WARRANTY OF MERCHANTABILITY, FITNESS FOR PARTICULAR PURPOSE, AND WARRANTY OF NONINFRINGEMENT OF INTELLECTUAL PROPERTY ARE EXPRESSLY EXCLUDED TO THE MAXIMUM EXTENT ALLOWED BY LAW, AND DIRECTED NEITHER ASSUMES NOR AUTHORIZES ANY PERSON TO ASSUME FOR IT ANY LIABILITY IN CONNECTION WITH THE SALE OF THE PRODUCT. DIRECTED HAS ABSOLUTELY NO LIABILITY FOR ANY AND ALL ACTS OF THIRD PARTIES INCLUDING ITS AUTHORIZED DEALERS OR INSTALLERS. IN NO EVENT WILL DIRECTED BE LIABLE FOR ANY INCIDENTAL, SPECIAL OR CONSEQUENTIAL DAMAGES (INCLUDING LOSS OF PROFITS) AND IN NO EVENT, SHALL DIRECTED'S LIABILITY EXCEED THE PURCHASE PRICE PAID BY PURCHASER FOR THE PRODUCT. Some states do not allow the exclusion or limitation of incidental or consequential damages, so the above limitation or exclusion may not apply to you. Some states do not allow limitations on how long an implied warranty lasts, so the above limitation may not apply to you. Unit must be returned to DIRECTED, postage prepaid, with bill of sale or other dated proof of purchase bearing the following information: consumer's name, telephone number, and address, authorized dealer's name and address, and product description. Note: This warranty does not cover labor costs for the removal and reinstallation of the unit. IN ORDER FOR THIS WARRANTY TO BE VALID, YOUR UNIT MUST BE SHIPPED WITH PROOF OF PURCHASE FROM AN AUTHORIZED DIRECTED DEALER. BY PURCHASING THIS PRODUCT, THE CONSUMER AGREES AND CONSENTS THAT ALL DISPUTES BETWEEN THE CONSUMER AND DIRECTED SHALL BE RESOLVED IN ACCORDANCE WITH CALIFORNIA LAWS IN SAN DIEGO COUNTY, CALIFORNIA.

920 0031 10-06

Designed and Engineered in the USA

***Directed***<sup>®</sup>  
E L E C T R O N I C S

TOY-SC1 2007-09  
[www.directedsirius.com](http://www.directedsirius.com)

In some cases, your TOYSC1 SIRIUS interface may be unable to display system error messages on your factory radio properly. The following table lists some conditions where the radio display may not provide complete information about a system error, change in channel lineup, or change in subscription status, or that some other operation of the radio is different than expected.

EVENT OR CONDITION	ERROR OR STATUS MESSAGES	DISPLAY LIMITATION	RECOMMENDED SOLUTION
Updating firmware, channel lineup, change in subscription status	Various	Radio does not display error messages in Channel Number display mode	Select other display such as channel name, category name, artist or title during satellite radio operation, or to check status
Antenna disconnected	"ANTENNA ERROR"	May not display "ANTENNA ERROR" in all display modes or during power up	Same as above
Low or no signal from antenna	"ACQUIRING SIGNAL"	May not display "ACQUIRING SIGNAL" in all display modes or during power up; may not switch back to previous display mode instantly following signal being restored	Same as above
Over the air firmware update of your SIRIUS tuner or docked radio	"FIRMWARE UPDATE", alternating words	May not display "FIRMWARE UPDATE" throughout the update event	Same as above
Channel lineup update by SIRIUS	"UPDATING XX%"	May not display "UPDATING XX%" in some radio display modes; may not display "UPDATING" throughout the update event	Same as above
Change in channel lineup that leaves the currently tuned channel inaccessible by the tuner	"UPDATING XX%" during the channel lineup change, followed by the radio automatically tuning to a different, accessible channel	Radio does not display "INVALID CHANNEL", prior to retuning automatically; may not display "UPDATING" in all radio display modes	Same as above; also manually tune radio to desired accessible channel
Low or lost signal restored to normal condition	"ACQUIRING SIGNAL"	Radio may keep "ACQUIRING SIGNAL" message on display for 3-4 seconds after audio restored	None; as long as audio is restored and signal conditions continue to be above minimum, error message will be replaced by user-selected display mode after the 3-4 second delay
Change in subscription status that leaves the currently tuned channel inaccessible by the tuner	"SUBSCRIP UPDATED" during event; radio may then retune automatically to CH 184 following the channel becoming inaccessible.	"Call 888-539-SIRI" is not displayed (normal indication that the channel is blocked due to change in subscription status)	Subscriber should contact SIRIUS if a channel becomes inaccessible, provided they did not request a change in subscription and no channel lineup change has taken place
Loss of audio following an update or change in subscription status event	See above for updating status messages; radio may retune automatically to CH 184 following the event	No error message generated for lost audio	Change channel, or turn factory radio off/on again to restore audio
Inconsistent display of information such as Artist Name, Song Title or both		Many specific radio models do not support scrolling text adequately	Your TOYSC1 Sirius Interface is supplied with text scrolling turned off. For instructions on turning text scrolling on (if your radio supports it), please refer to page 8 of the supplied Owner's Guide